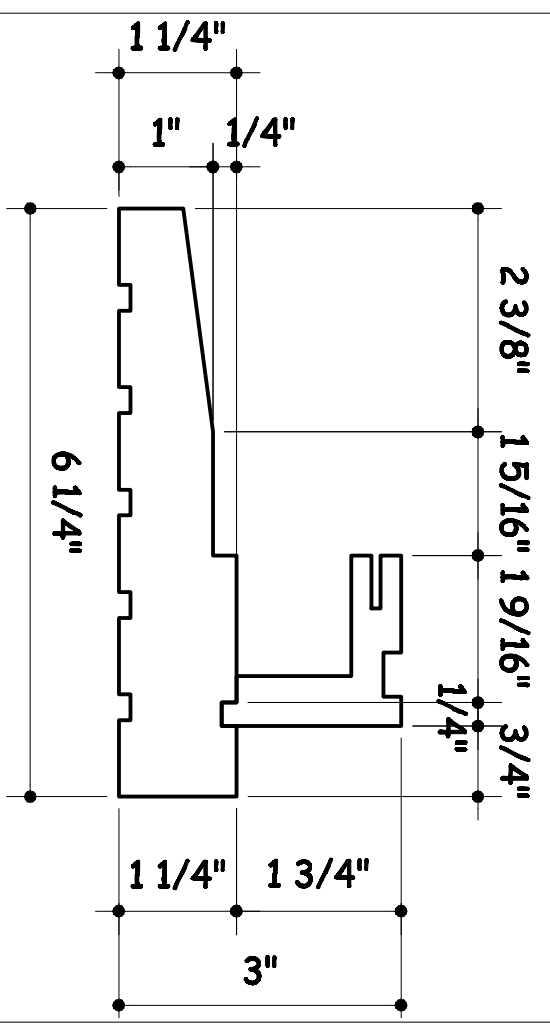
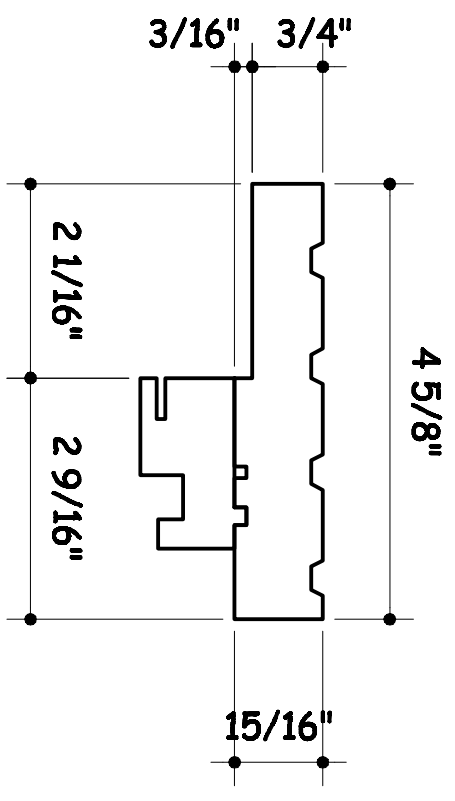


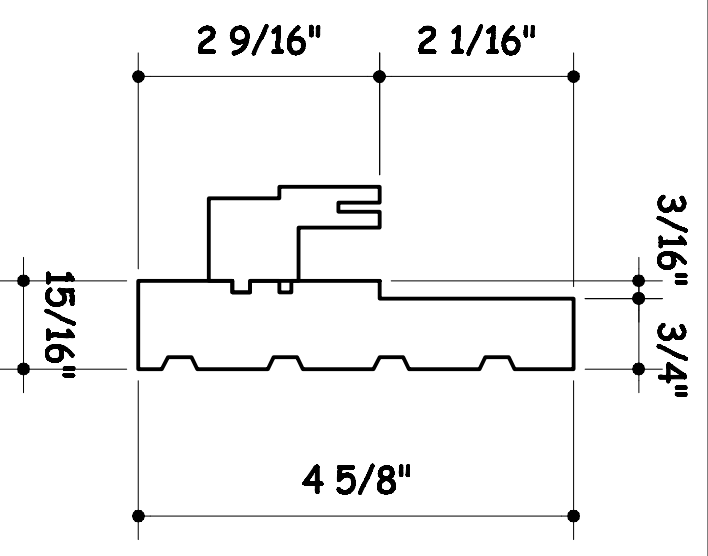
**WOOD PROFILE FOR DOUBLE CASEMENT WINDOW**



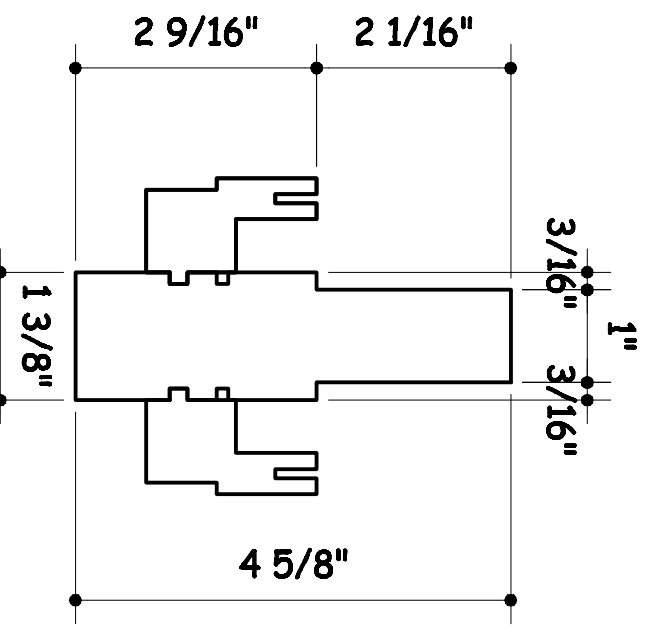
**WINDOW SILL**



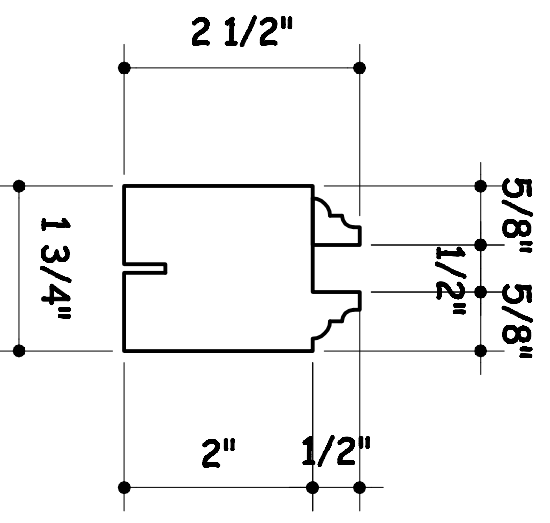
**HEAD JAMB**



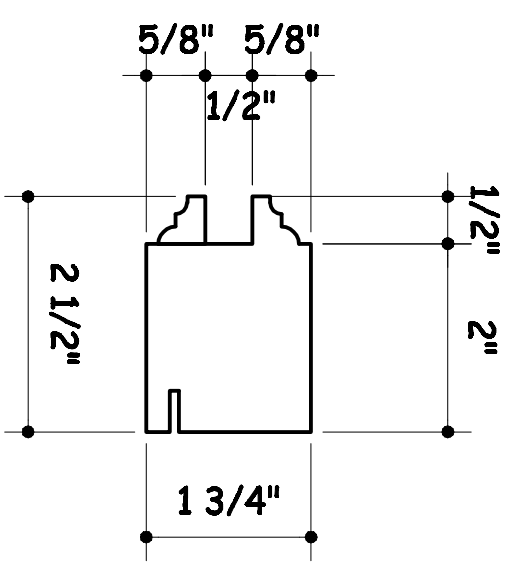
**SIDE JAMB**



**MID MULLION**



**BOTTOM FRAME & TOP FRAME**



**SIDE FRAME**