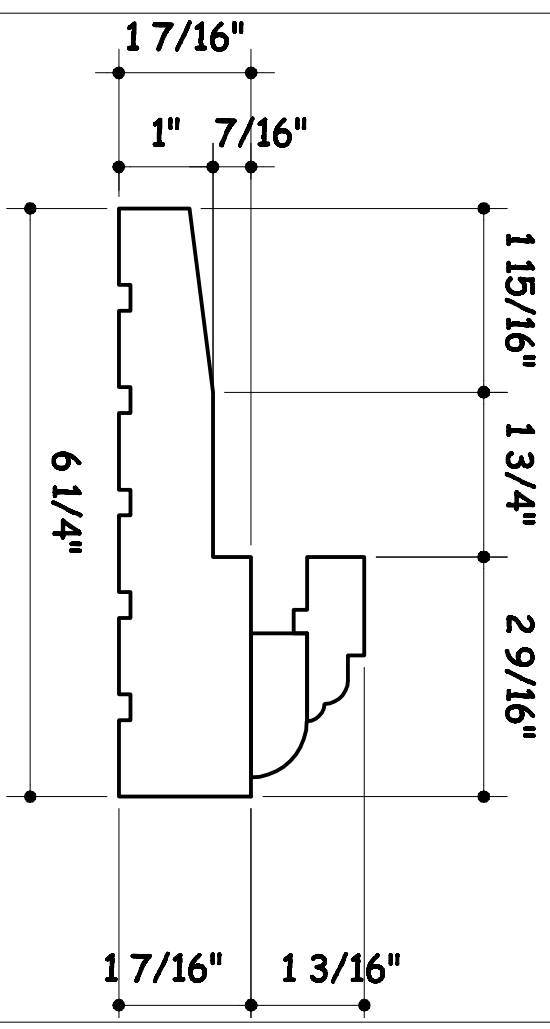
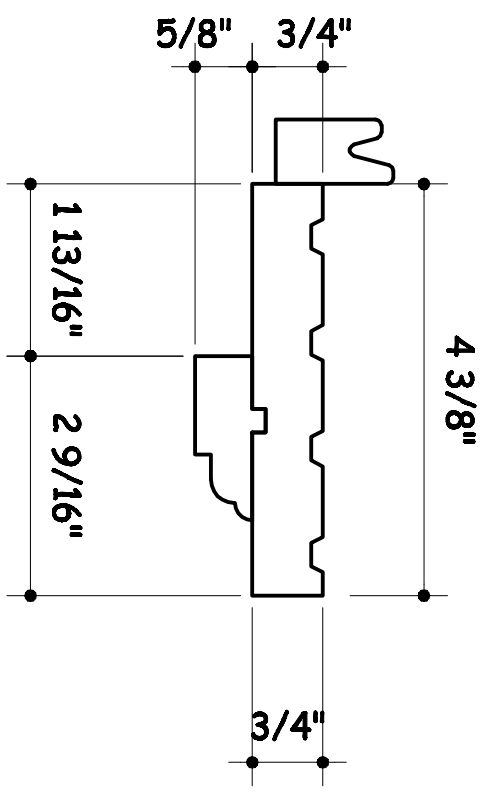


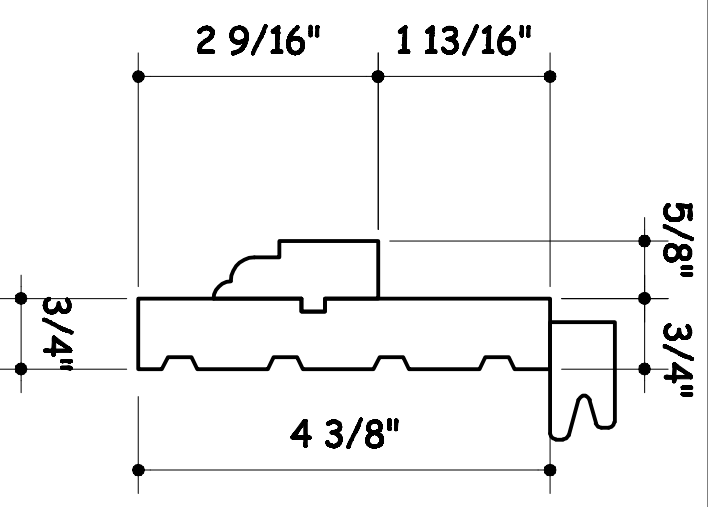
**WOOD PROFILE FOR FIXED WINDOW**



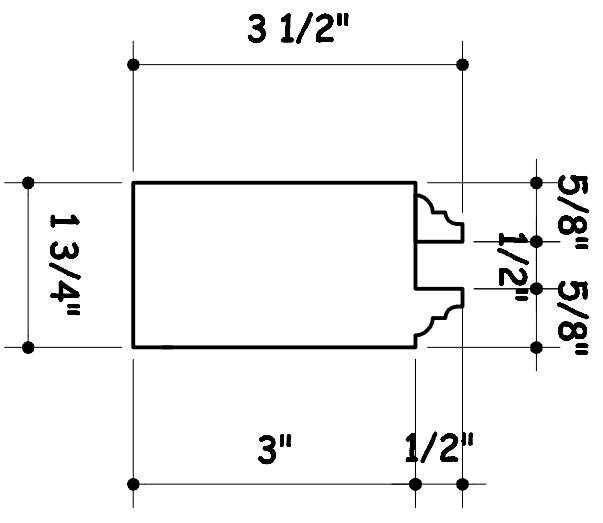
**WINDOW SILL**



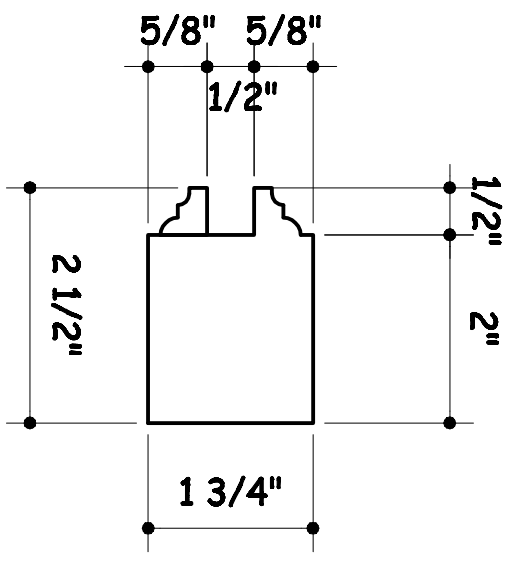
**HEAD JAMB**



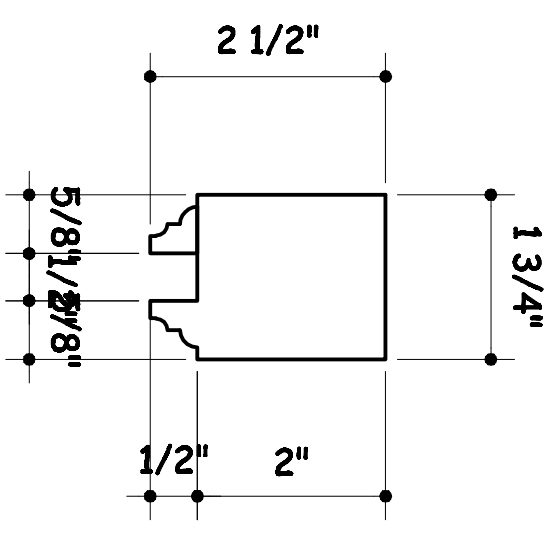
**SIDE JAMB**



**BOTTOM FRAME**



**SIDE FRAME**



**TOP FRAME**