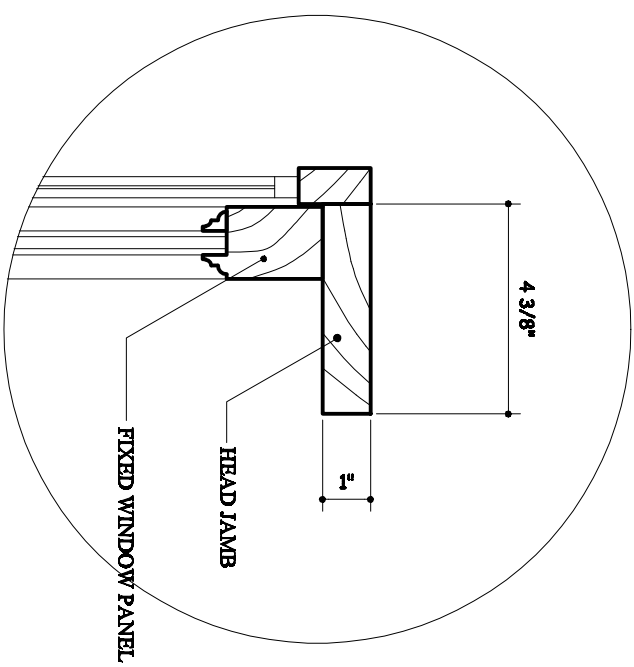
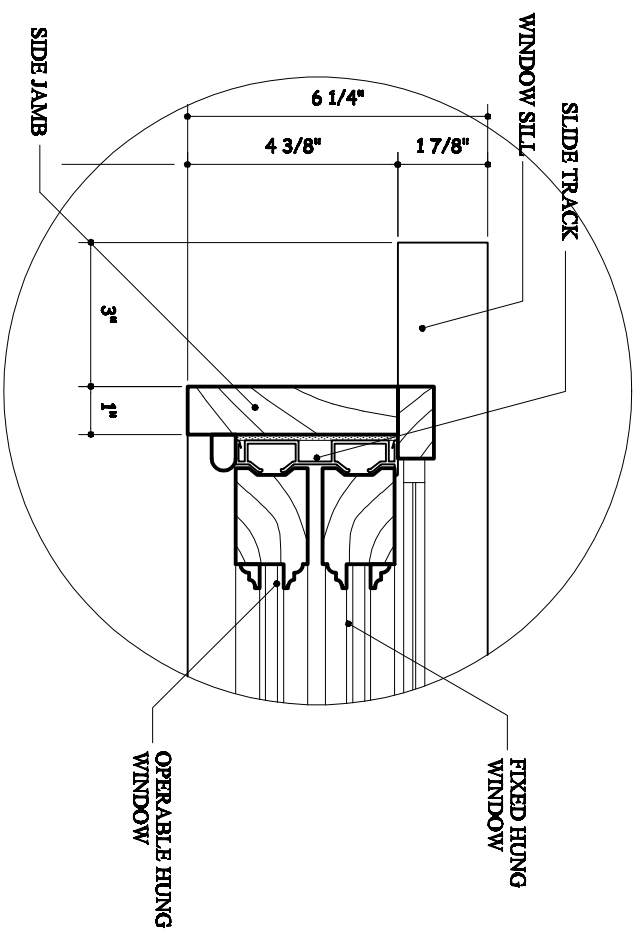


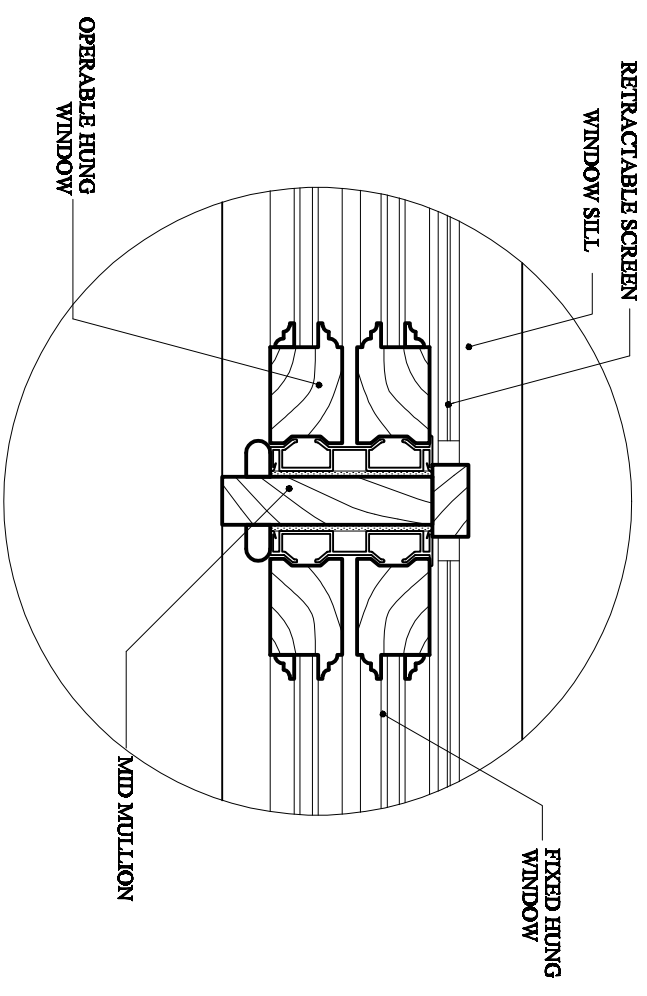
SILL DETAIL "3"



HEADER DETAIL "4"



SIDE JAMB DETAIL "1"



MID MULLION DETAIL "2"

2 BAY TOP HUNG WINDOW