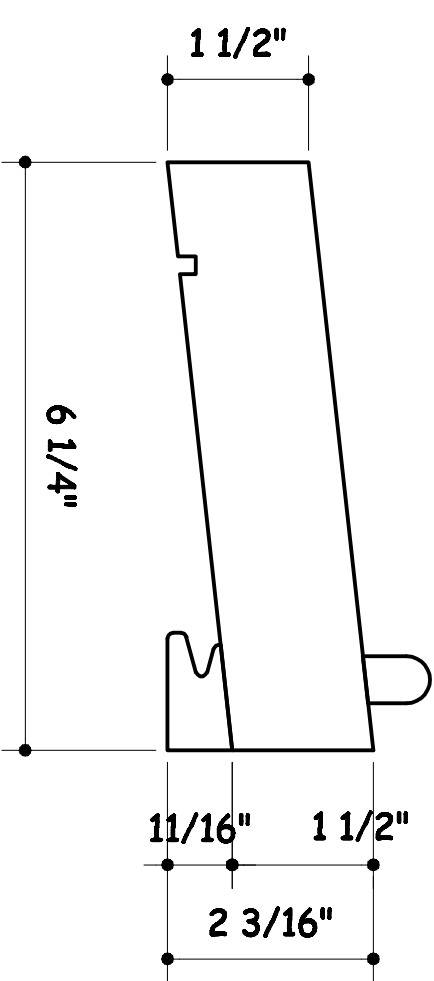
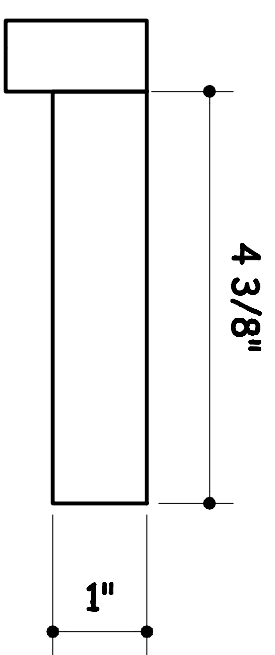


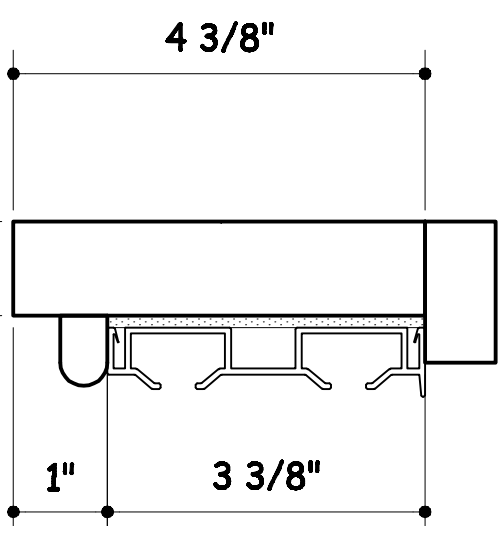
WOOD PROFILE FOR 2 BAY TOP HUNG WINDOW



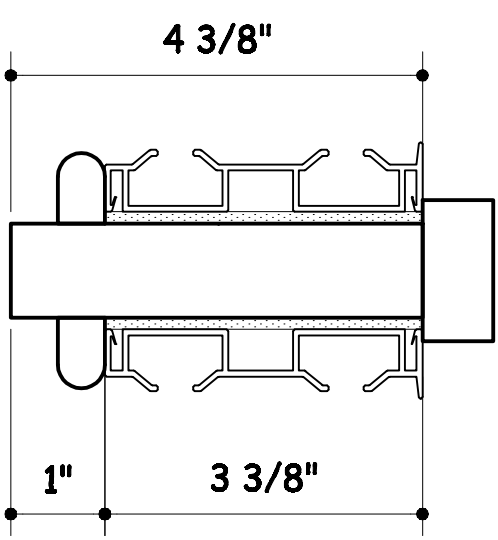
WINDOW SILL



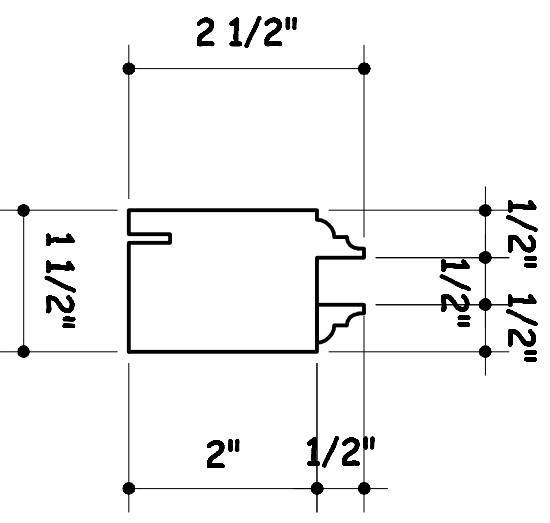
HEAD JAMB



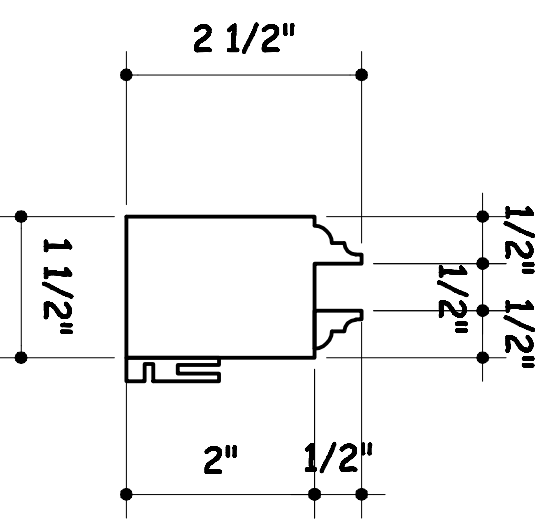
SIDE JAMB



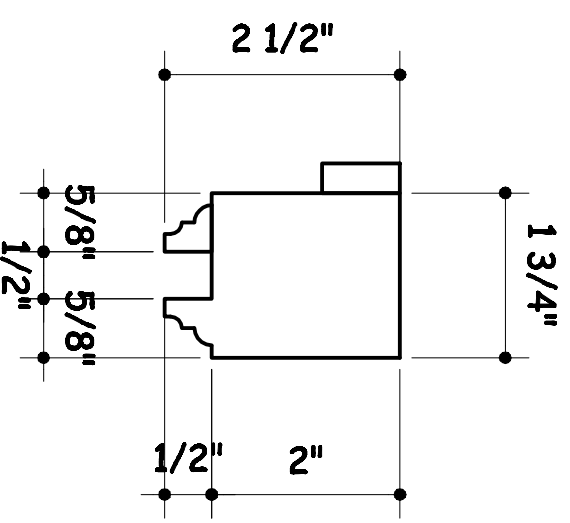
MID MULLION



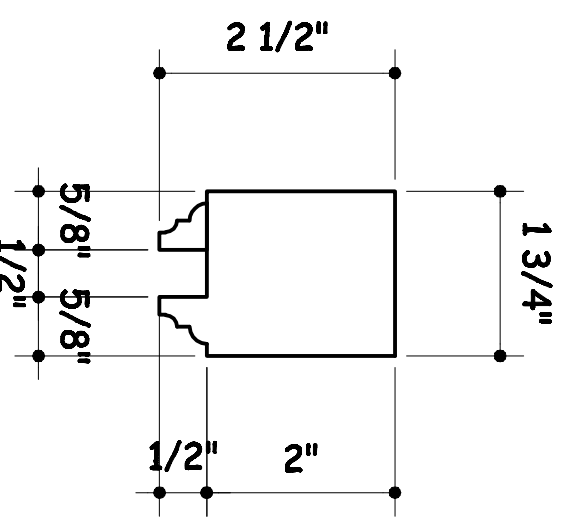
**OPERABLE
BOTTOM FRAME**



**FIXED
BOTTOM FRAME**



**OPERABLE
TOP FRAME**



**FIXED
TOP FRAME**